

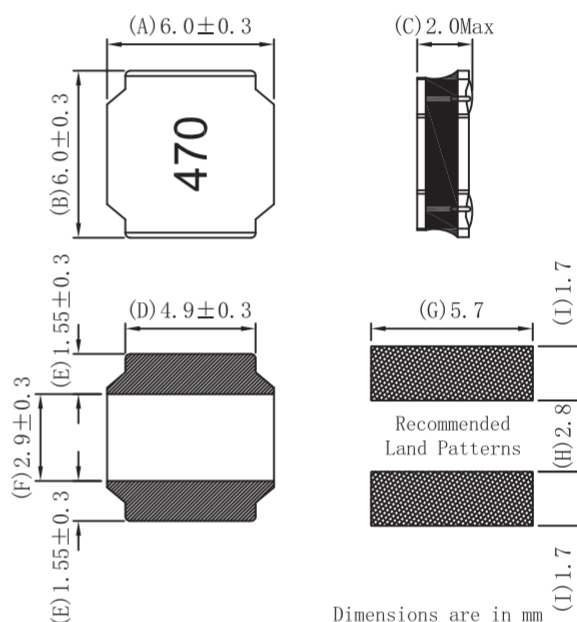
## FEATURES

- RoHS compliant
- Small size (6.0\*6.0mm), low profile (Height: 2.0mm Max)
- Surface mount design
- Magnetic shield construction with magnetic powder resin
- Good EMI
- High saturation current
- Inductance range from 1.0uH to 47uH
- Tape & reel packing
- UL94V-0
- Solder profile acc. J-STD-020D

## APPLICATIONS

- DC-DC Converters
- Cell phones
- LCD displays
- Office automotive
- Notebook computers
- PDAs

Part number	Inductance (μH)	Tolerance (±%)	DCR (mΩ) ±30%	SRF Min (MHz)	Isat (A)	Irms (A)
MDRH6020SG1R0N	1.0	30	20	100	4.30	3.50
MDRH6020SG1R5N	1.5	30	25	85	4.25	3.20
MDRH6020SG2R2N	2.2	30	35	63	3.75	2.75
MDRH6020SG3R3N	3.3	30	45	50	3.15	2.60
MDRH6020SG4R7N	4.7	30	58	38	3.00	2.00
MDRH6020SG5R6M	5.6	20	70	33	2.40	1.90
MDRH6020SG6R8M	6.8	20	85	30	2.20	1.80
MDRH6020SG100M	10	20	120	18	1.75	1.40
MDRH6020SG150M	15	20	160	15	1.50	1.20
MDRH6020SG220M	22	20	240	11	1.25	1.00
MDRH6020SG470M	47	20	500	9	1.00	0.80



## ABSOLUTE MAXIMUM RATINGS

Operating temperature rang	-40 °C to +125 °C
(Including coil' self temperature rise)	
Storage temperature rang	-40 °C to +125 °C

## SOLDERING INFORMATION

Peak reflow temperature	250 °C
Pin finish	Hot dipped tin
Moisture sensitivity level	1

## PACKAGING INFORMATION

Tape&Reel	3000pcs per reel
Weight	0.30g/pcs

## Notes

1. Electrical specification at 25 °C.
2. Inductance tested at 100 kHz, 0.25Vrms.
3. Isat is the DC current at which inductance drop 30% max from its value without current.
4. Irms is the current that caused a approx 40 °C temperature rise from 25 °C ambient.