

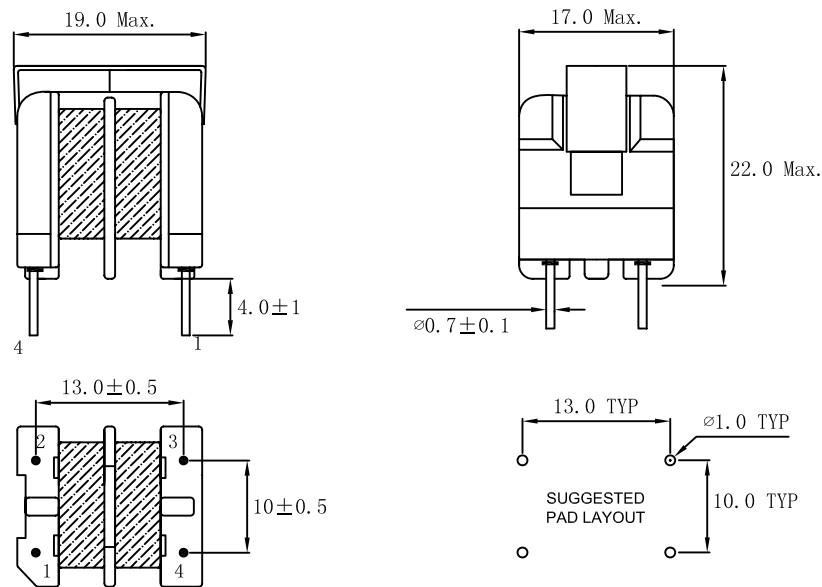
- Common mode chokes for SMPS
- High impedance to minimize common mode noise
- Excellent EMI performance
- Operate temperature range: -40°C to +85°C
- Storage temperature range: -40°C to +125°C



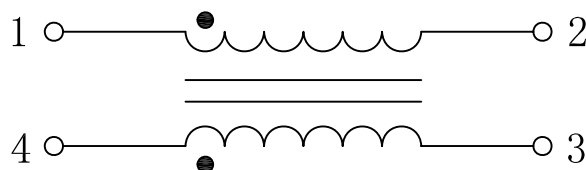
Electrical Specifications @25°C

Part Number	OCL @10KHz, 0.1V (mH Min.)	DCR (Ω Max.)	Turns Ratio	Rated Current (A Max.) ΔT ≤ 40°C	Hi-Pot
	1-2, 4-3	1-2, 4-3	1-2:4-3		1-2 TO 4-3
CM10R5DG103UA	10	0.50	1:1	1.50	1500
CM10R5DG203UA	20	0.75	1:1	1.20	1500
CM10R5DG303U	30	1.00	1:1	0.90	1500
CM10R5DG403U	40	1.20	1:1	0.70	1500
CM10R5DG503U	50	1.60	1:1	0.65	1500

MECHANICAL

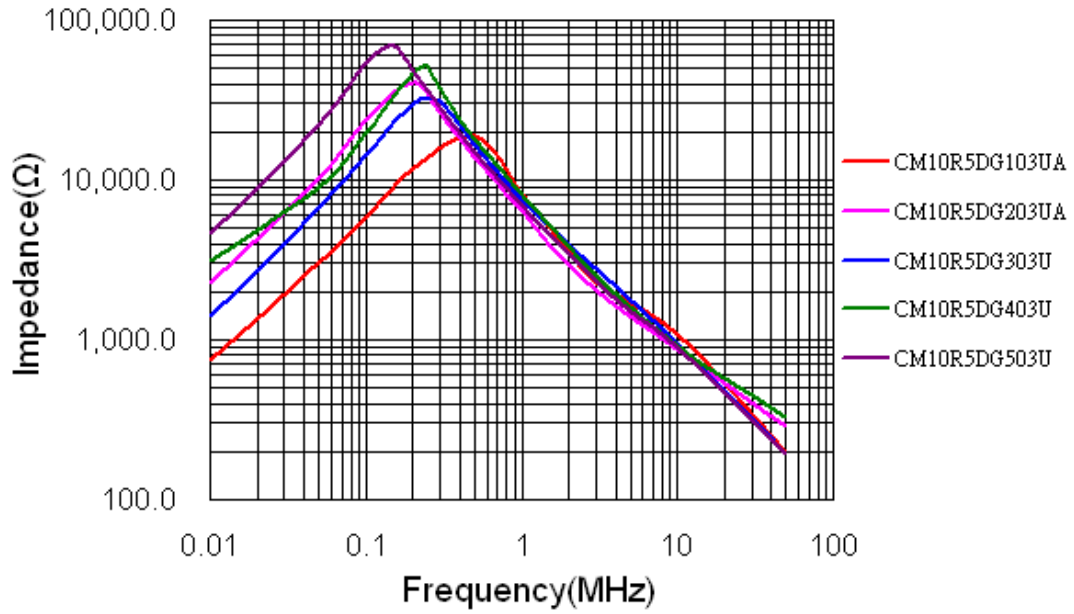


SCHEMATICS

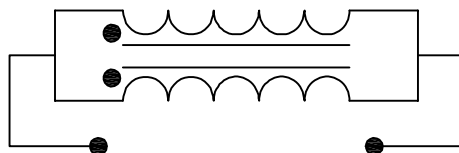
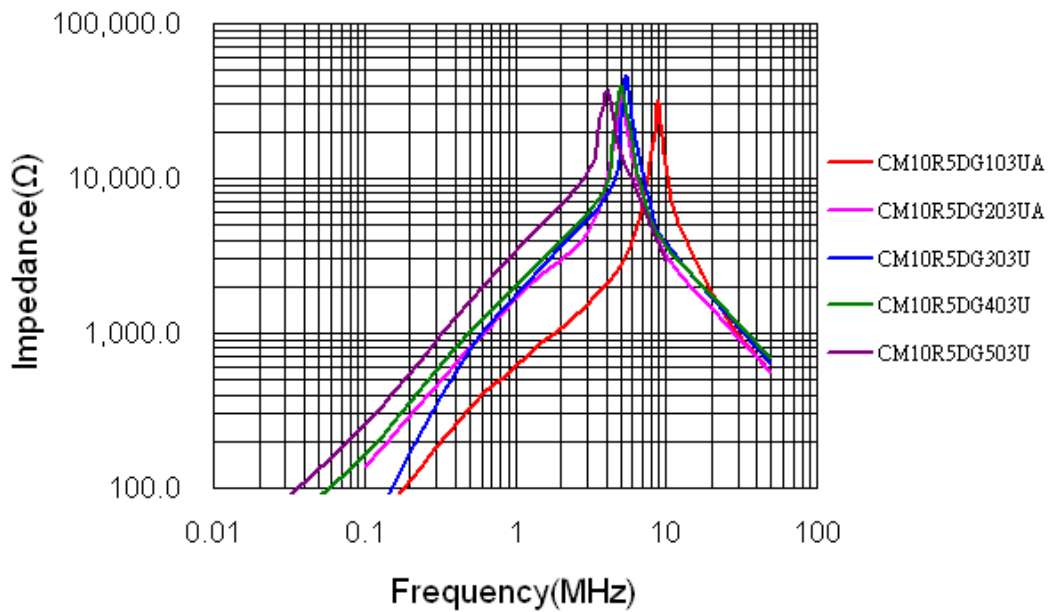


Impedance Vs Frequency

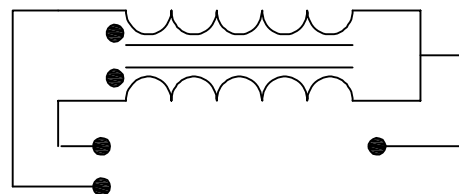
Common Mode



Different Mode



Common Mode



Different Mode