

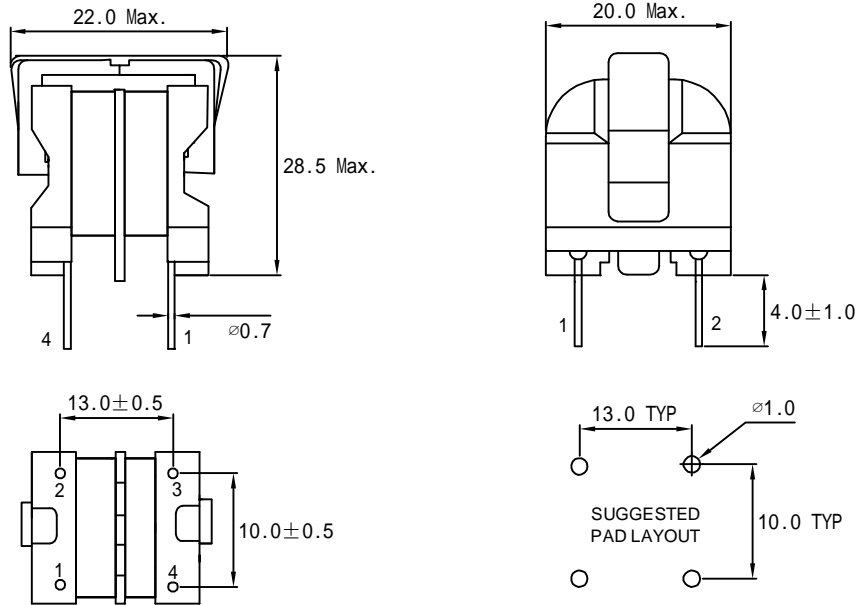
- Common mode chokes for SMPS
- High impedance to minimize common mode noise
- Excellent EMI performance
- Operate temperature range: -40°C to +85°C
- Storage temperature range: -40°C to +125°C



Electrical Specifications @25°C

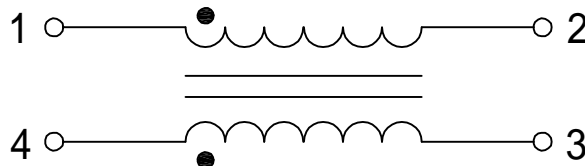
Part Number	VVOCL @10KHZ, 0.1V (mH Min.)	DCR (Ω Max.)	Turns Ratio	Rated Current (A Max.) ΔT ≤ 40°C	Hi-Pot
	1-2,4-3	1-2,4-3	1-2:4-3		1-2 TO 4-3
CM15R7DG103U	10	0.30	1:1	4.00	1500
CM15R7DG203U	20	0.33	1:1	3.00	1500
CM15R7DG303U	30	0.45	1:1	2.50	1500
CM15R7DG403U	40	0.65	1:1	2.00	1500
CM15R7DG503U	50	0.72	1:1	2.00	1500

MECHANICAL



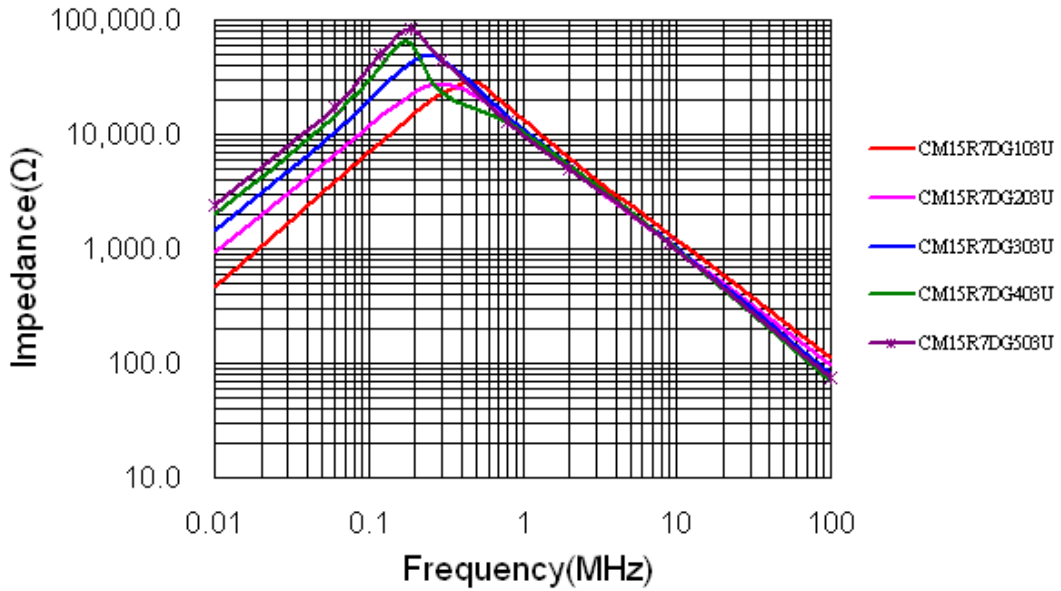
Unless otherwise specified all tolerances are: ±0.25 in mm

SCHEMATICS

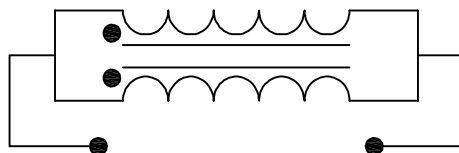
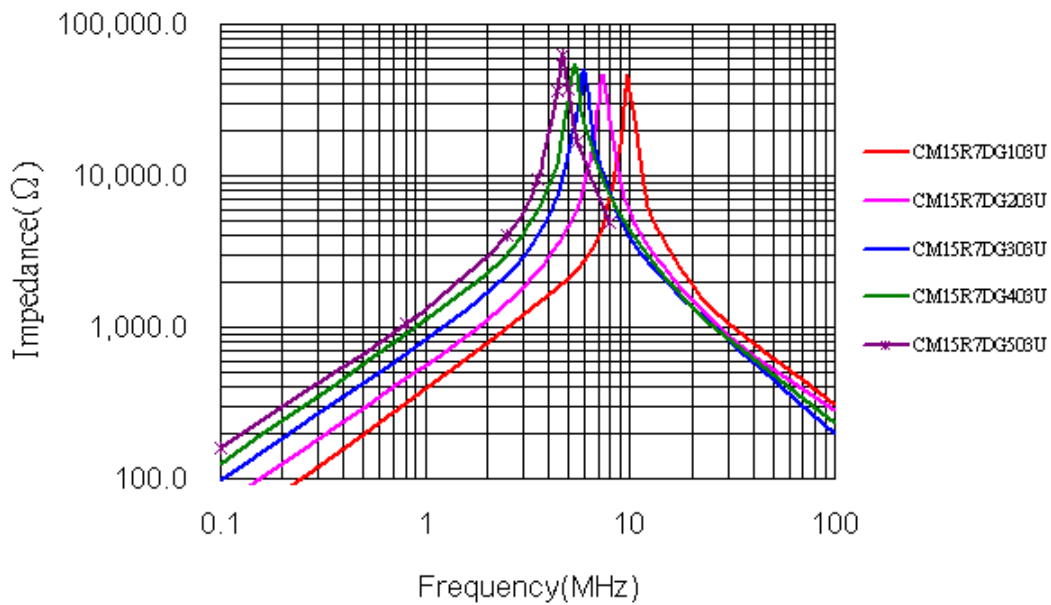


Impedance Vs Frequency

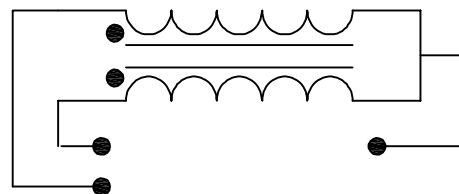
Common Mode



Different Mode



Common Mode



Different Mode